

Honor Solar

HY-P6 / 72

HY-P6 / 72H

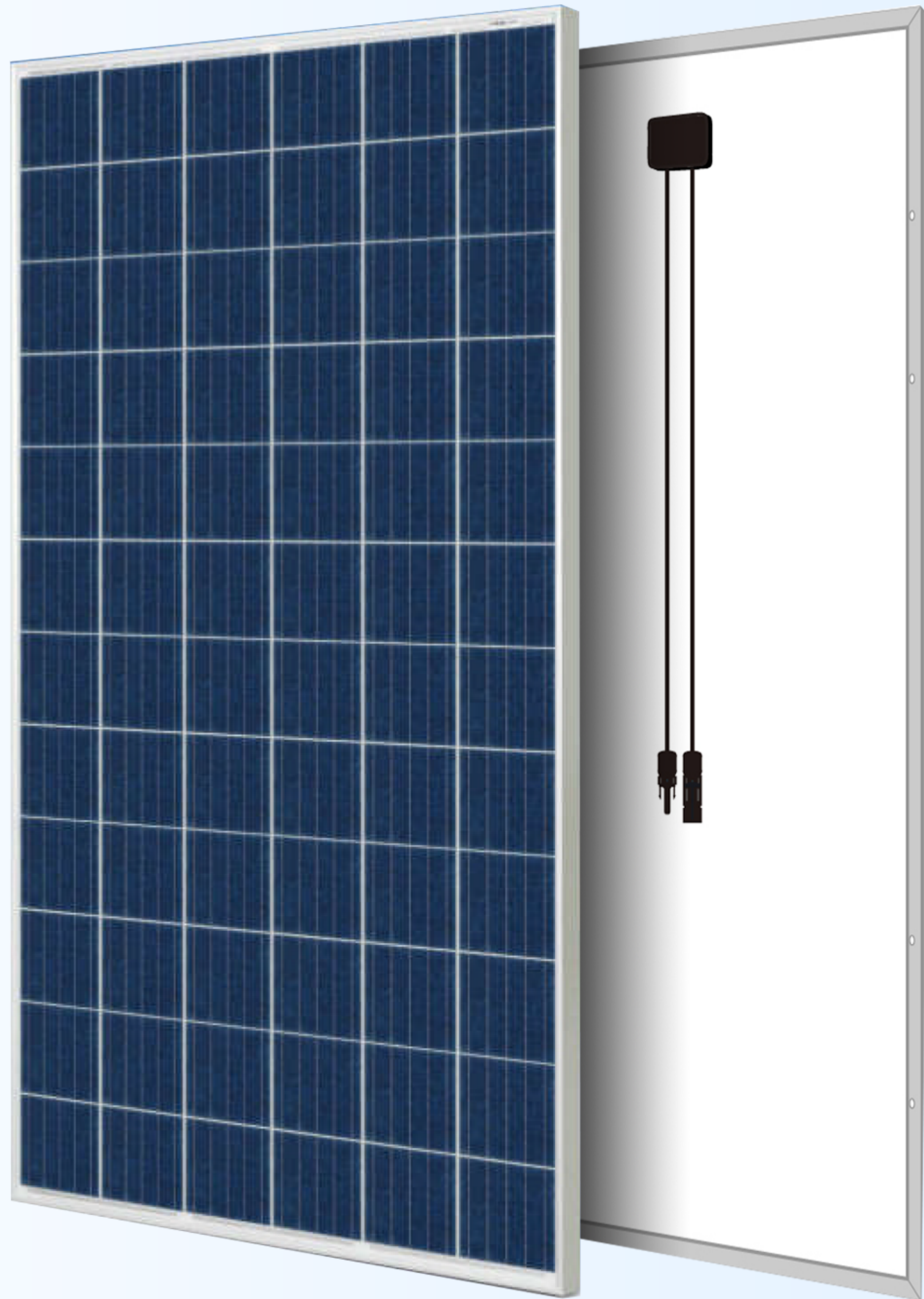
Polycrystalline Module

325-360W

Cell Type



5BB



360W

Maximum Power Output

18.6%

Maximum Module Efficiency

0~+5W

Power Output Guarantee



- Highly transparent self-cleaning glass brings additional yield and easy maintenance



- Selected encapsulating material and stringent production process control ensure the product is highly PID resistant and snail trails free



- Optimized system performance due to module level current sorting



- Sand blowing test, salt mist test and ammonia test passed to endure harsh environments



- Lower LID due to lower oxygen and carbon content

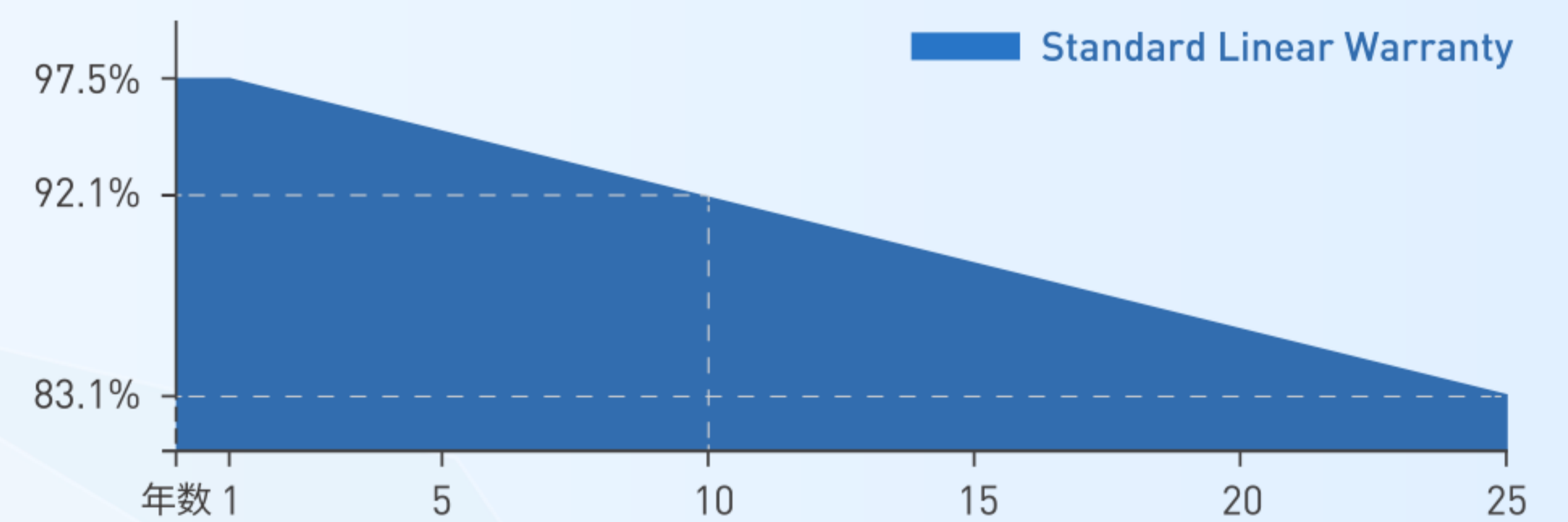


- Special cutting and soldering technology leads to low hotspot risk

Delivers Reliable Performance Over Time

- manufacturer of crystalline silicon photovoltaic modules
- Fully automatic facility and world-class technology
- Rigorous quality control to meet the highest standard: ISO9001:2015, ISO14001: 2015 and OHSAS: 18001 2007
- Tested for harsh environments (salt mist, ammonia corrosion and sand blowing test: IEC 61701, IEC 62716, DIN EN 60068-2- 68)
- Long term reliability tests
- 2x100% EL inspection ensuring defect-free modules

Linear Performance Warranty



10 Years Product Warranty 25 Years Linear Power Warranty

* Please refer to standard warranty for details

Product certification



HY-P6 / 72 HY-P6 / 72H

Polycrystalline Module 325-360W

Electrical Specification (STC*)

Parameter	Unit	325	330	335	340	345	350	355	360
Maximum Power	P _{max} (W)	325	330	335	340	345	350	355	360
Maximum Power Voltage	V _{mp} (V)	37.60	37.80	38.00	38.20	36.47	36.85	37.26	37.66
Maximum Power Current	I _{mp} (A)	8.64	8.73	8.82	8.90	9.46	9.50	9.53	9.56
Open Circuit Voltage	V _{oc} (V)	46.00	46.20	46.40	46.60	45.91	46.21	46.51	46.81
Short Circuit Current	I _{sc} (A)	9.24	9.33	9.41	9.49	10.06	10.07	10.09	10.10
Module Efficiency	(%)	16.7	17.0	17.3	17.5	17.8	18.0	18.3	18.6
Power Output Tolerance	(W)	0~+5							

* Irradiance 1000W/m², Module Temperature 25°C, Air Mass 1.5

Electrical Specification (NOCT*)

Parameter	Unit	241.17	245.00	248.86	252.75	256.77	260.82	264.13	267.87
Maximum Power	P _{max} (W)	241.17	245.00	248.86	252.75	256.77	260.82	264.13	267.87
Maximum Power Voltage	V _{mp} (V)	34.70	34.90	35.10	35.30	34.10	34.50	34.80	35.20
Maximum Power Current	I _{mp} (A)	6.95	7.02	7.09	7.16	7.53	7.56	7.59	7.61
Open Circuit Voltage	V _{oc} (V)	42.80	42.90	43.10	43.30	42.70	43.00	43.20	43.50
Short Circuit Current	I _{sc} (A)	7.46	7.53	7.60	7.66	8.12	8.13	8.15	8.16

* Irradiance 800W/m², Ambient Temperature 20°C, Wind Speed 1m/s

Mechanical Data

Number of Cells	72 Cells (6×12)
Dimensions of Module L*W*H (mm)	1956×992×35mm (77×39.05×1.38 inches)
Weight (kg)	22.2 kg
Glass	High transparency solar glass 3.2mm (0.13 inches)
Backsheet	White
Frame	Silver, anodized aluminium alloy
J-Box	IP68 Rated
Cable	4.0mm ² (0.006 inches ²), 1200mm (47.24 inches)
Number of diodes	3
Wind/ Snow Load	2400Pa/ 5400Pa*
Connector	MC Compatible

* For more details please check the installation manual of SI

Temperature Ratings

Nominal Operating Cell Temperature (NOCT)	45±2°C
Temperature Coefficient of I _{sc}	+0.06%/°C
Temperature Coefficient of V _{oc}	-0.30%/°C
Temperature Coefficient of P _{MAX}	-0.39%/°C

Maximum Ratings

Operational Temperature	-40~+85°C
Maximum System Voltage	1500V DC
Max Series Fuse Rating	20A

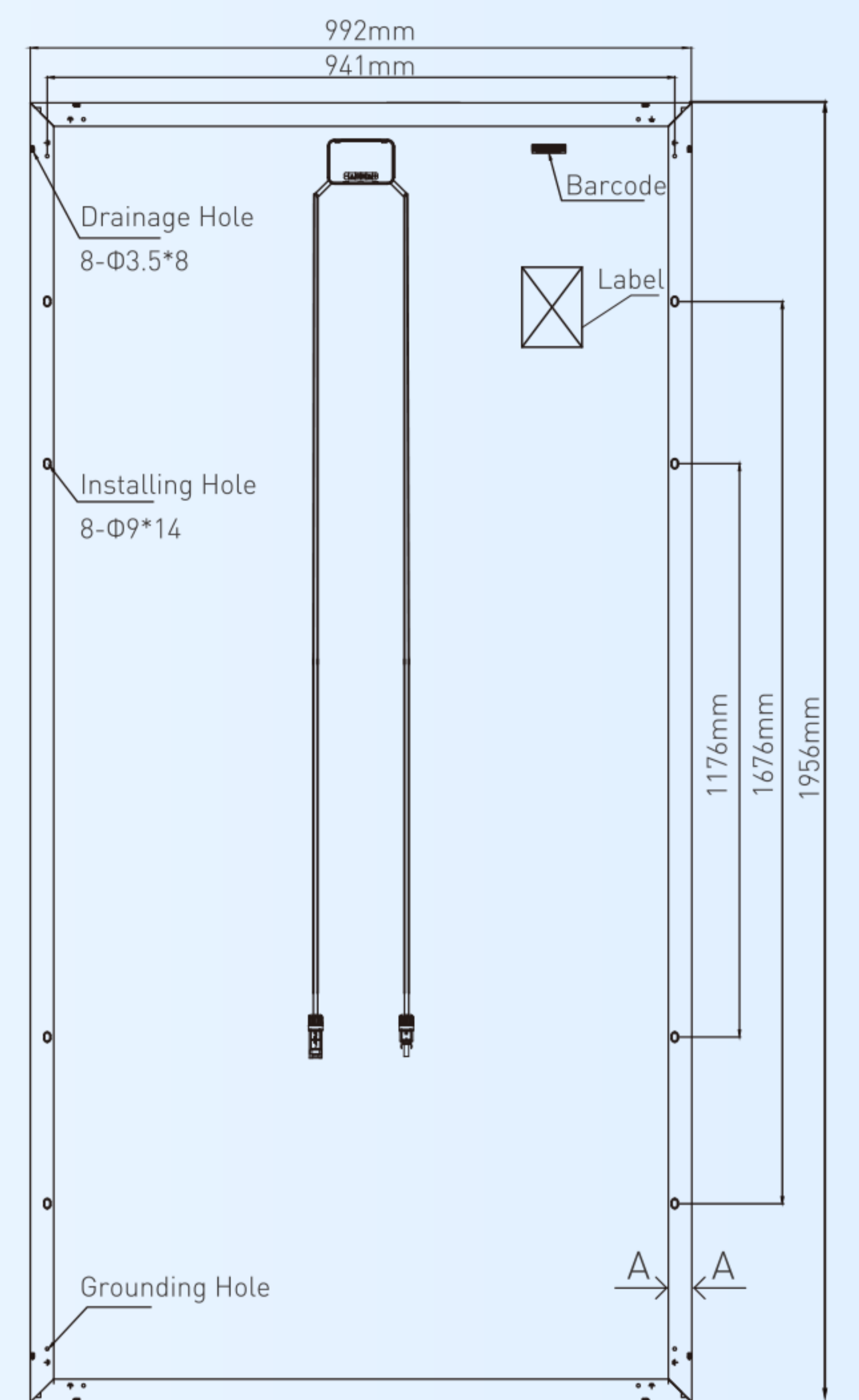
Optional

Connector: Original MC4

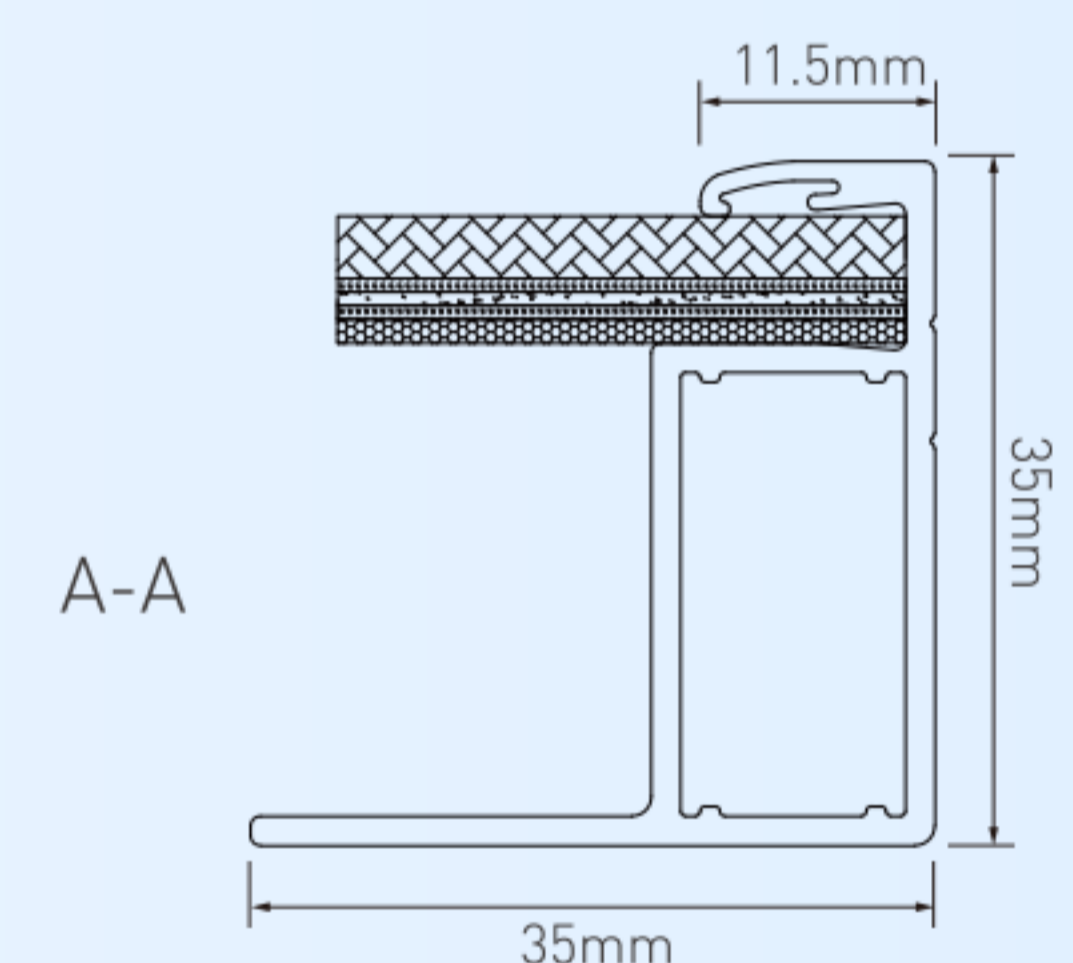
Packaging Configuration

Module per box	30 pieces
Module per 40' container	720 pieces

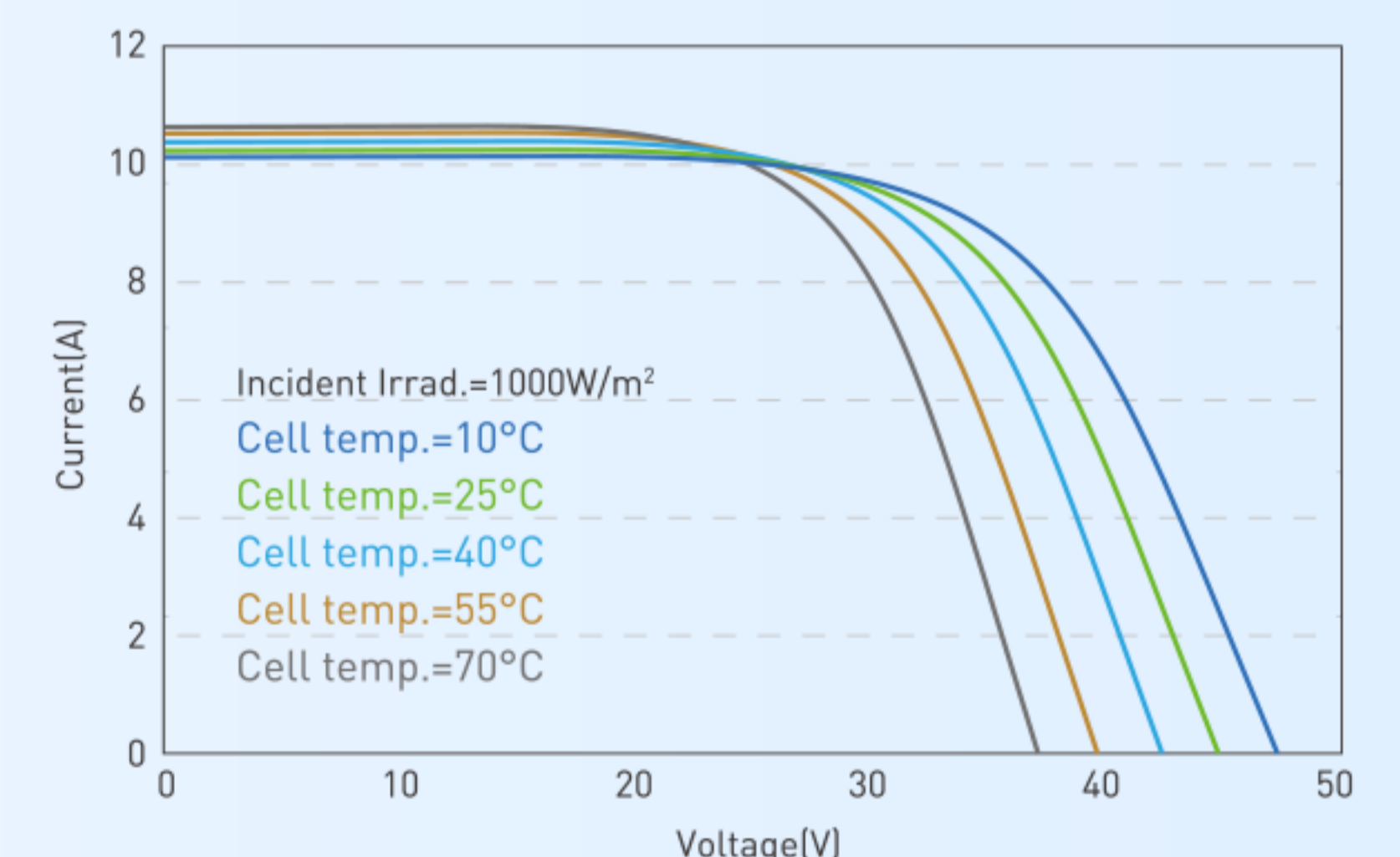
Module Dimension



Back View



I-V Curve at Different Temperature (360W)



I-V/P-V Curve at Different Irradiation (360W)

