

# Honor Solar

## HY-P3/60

## HY-P3/60H

### Polycrystalline Module

### 275-310W

Cell Type



5BB



## 310W

Maximum Power Output

## 18.8%

Maximum Module Efficiency

## 0~+5W

Power Output Guarantee



• Highly transparent self-cleaning glass brings additional yield and easy maintenance



• Selected encapsulating material and stringent production process control ensure the product is highly PID resistant and snail trails free



• Optimized system performance due to module level current sorting



• Sand blowing test, salt mist test and ammonia test passed to endure harsh environments



• Lower LID due to lower oxygen and carbon content

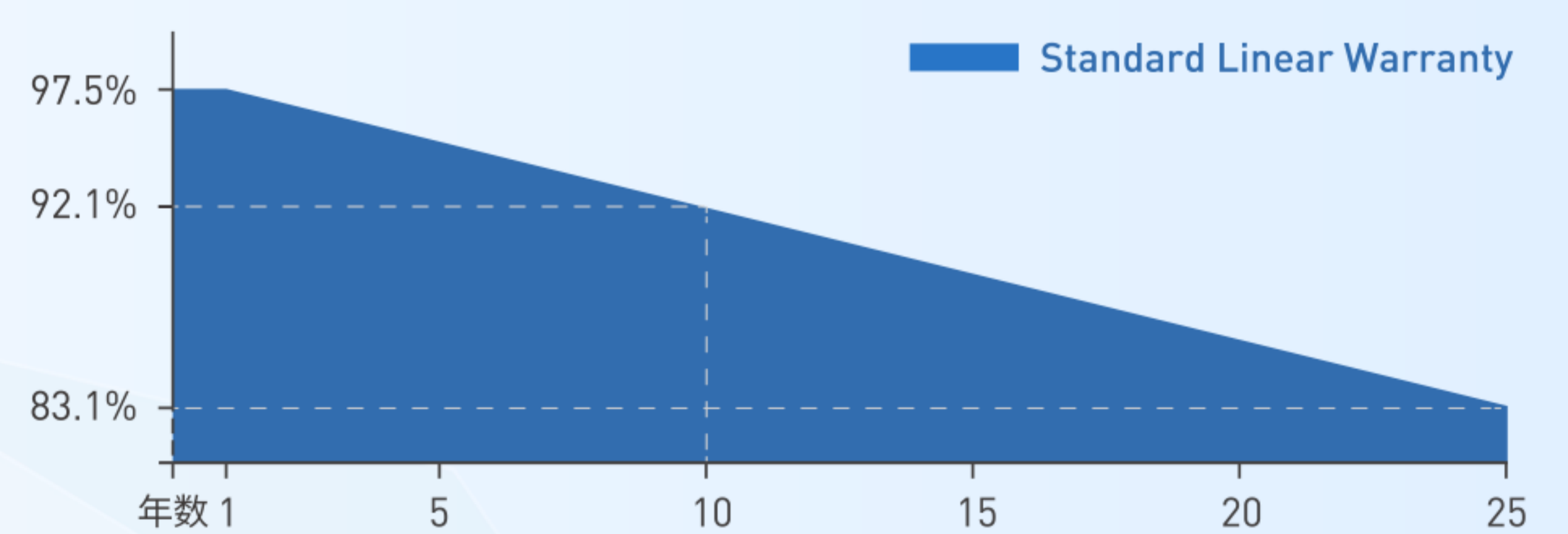


• Special cutting and soldering technology leads to low hotspot risk

### Delivers Reliable Performance Over Time

- manufacturer of crystalline silicon photovoltaic modules
- Fully automatic facility and world-class technology
- Rigorous quality control to meet the highest standard: ISO9001:2015, ISO14001: 2015 and OHSAS: 18001 2007
- Tested for harsh environments (salt mist, ammonia corrosion and sand blowing test: IEC 61701, IEC 62716, DIN EN 60068-2- 68)
- Long term reliability tests
- 2x100% EL inspection ensuring defect-free modules

### Linear Performance Warranty



10 Years Product Warranty 25 Years Linear Power Warranty

\* Please refer to standard warranty for details

### Product certification



# HY-P3/60 HY-P3/60H

## Polycrystalline Module 275-310W

### Electrical Specification (STC\*)

	Pmax(W)	275	280	285	290	295	300	305	310
Maximum Power	Pmax(W)	275	280	285	290	295	300	305	310
Maximum Power Voltage	Vmp(V)	31.55	31.90	32.33	32.78	33.23	33.64	34.05	34.45
Maximum Power Current	Imp(A)	8.72	8.78	8.82	8.85	8.88	8.92	8.96	9.00
Open Circuit Voltage	Voc(V)	38.39	38.60	38.80	39.00	39.20	39.40	39.60	39.80
Short Circuit Current	Isc(A)	9.34	9.45	9.56	9.67	9.78	9.89	10.00	10.11
Module Efficiency	(%)	16.6	17.0	17.3	17.6	17.9	18.2	18.5	18.8
Power Output Tolerance	(W)	0~+5							

\* Irradiance 1000W/m<sup>2</sup>, Module Temperature 25°C, Air Mass 1.5

### Electrical Specification (NOCT\*)

	Pmax (W)	205.57	209.33	213.42	217.67	221.54	225.87	229.81	234.08
Maximum Power	Pmax (W)	205.57	209.33	213.42	217.67	221.54	225.87	229.81	234.08
Maximum Power Voltage	Vmp (V)	29.20	29.40	29.60	29.90	30.10	30.40	30.60	30.80
Maximum Power Current	Imp (A)	7.04	7.12	7.21	7.28	7.36	7.43	7.51	7.60
Open Circuit Voltage	Voc(V)	35.90	36.10	36.20	36.40	36.60	36.80	36.90	37.10
Short Circuit Current	Isc (A)	7.54	7.63	7.71	7.80	7.89	7.98	8.07	8.16

\* Irradiance 800W/m<sup>2</sup>, Ambient Temperature 20°C, Wind Speed 1m/s

### Mechanical Data

Number of Cells	120 Cells (6×20)
Dimensions of Module L*W*H (mm)	1665×992×35mm (65.55 × 39.05 × 1.38 inches)
Weight (kg)	18.8kg
Glass	High transparency solar glass 3.2mm (0.13 inches)
Backsheet	White
Frame	Silver, anodized aluminium alloy
J-Box	IP68 Rated
Cable	4.0mm <sup>2</sup> (0.006 inches <sup>2</sup> ), 300mm (11.8 inches)
Number of diodes	3
Wind/ Snow Load	2400Pa/5400Pa*
Connector	MC4 Compatible

### Temperature Ratings

Nominal Operating Cell Temperature (NOCT)	44±2°C
Temperature Coefficient of I <sub>bc</sub>	+0.05%/°C
Temperature Coefficient of V <sub>bc</sub>	-0.30%/°C
Temperature Coefficient of P <sub>MAX</sub>	-0.38%/°C

### Packaging Configuration

Module per box	30 pieces
Module per 40' container	780 pieces

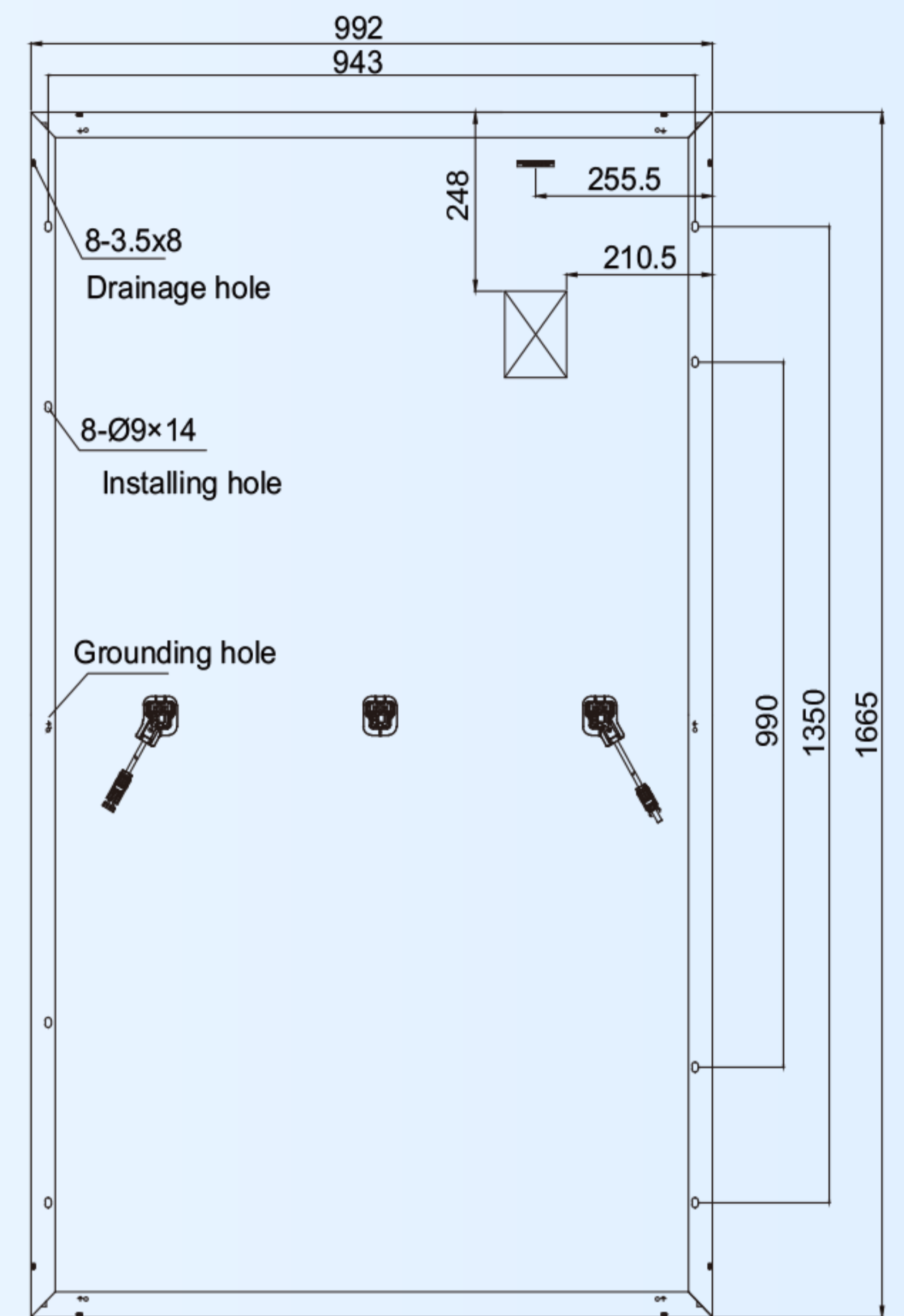
### Maximum Ratings

Operational Temperature	-40~+85°C
Maximum System Voltage	1000V DC
	1500V DC-(H)
Max Series Fuse Rating	

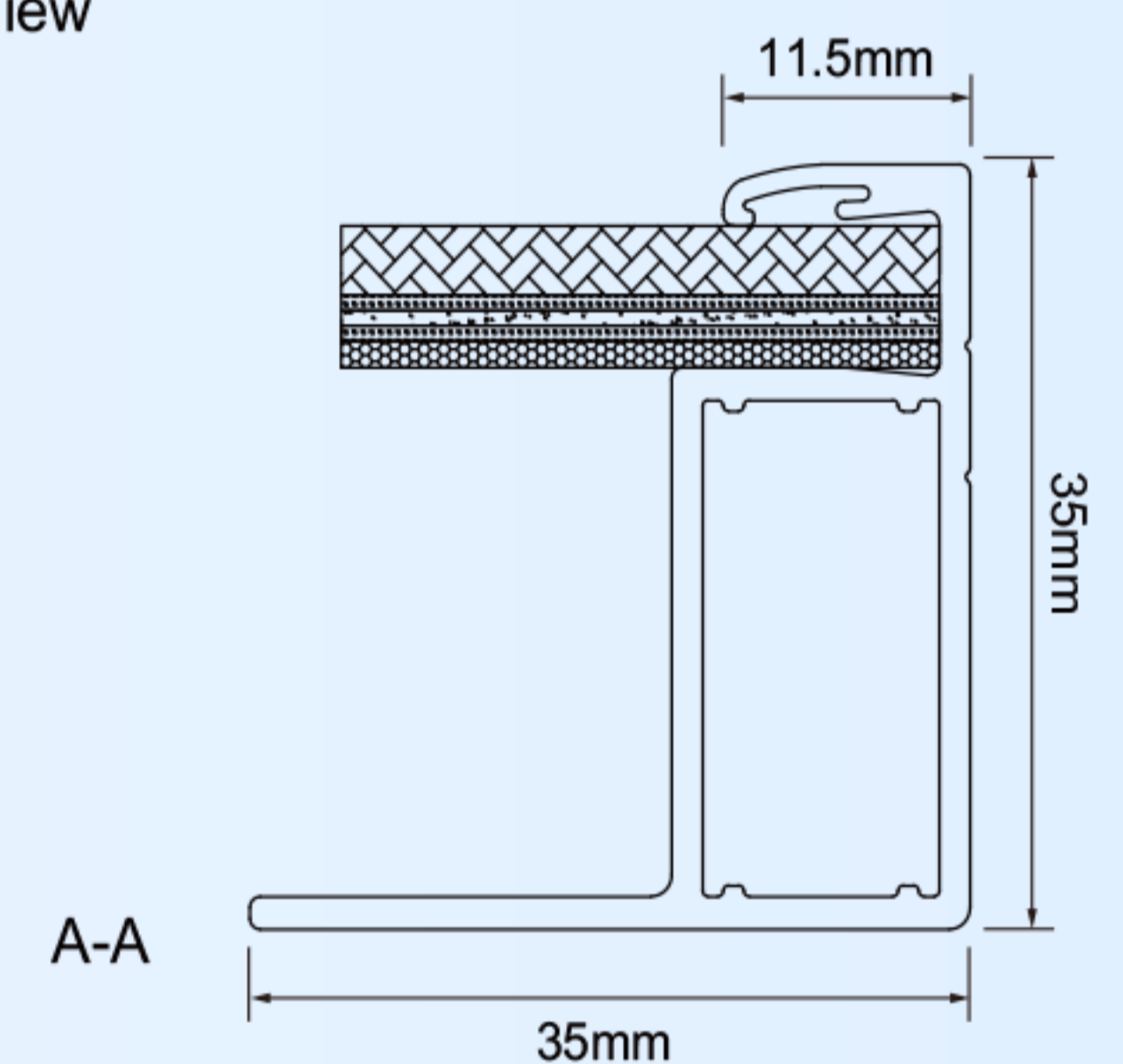
### Optional

Connector:  Original MC4

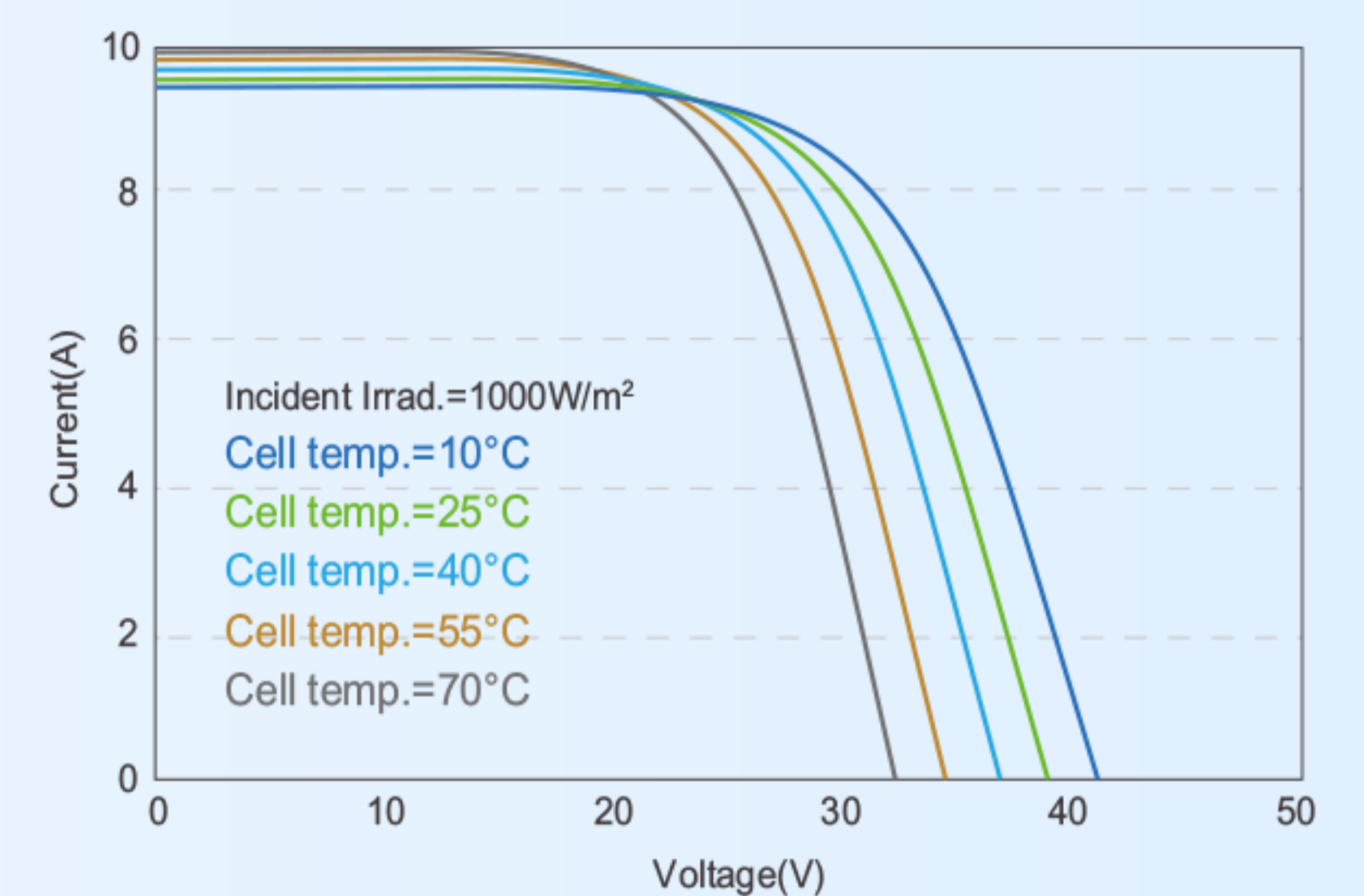
### Module Dimension



Back View



### I-V Curve at Different Temperature (295W)



### I-V/P-V Curve at Different Irradiation (295W)

