

Honor Solar

HY-P6 / 72

HY-P6 / 72H

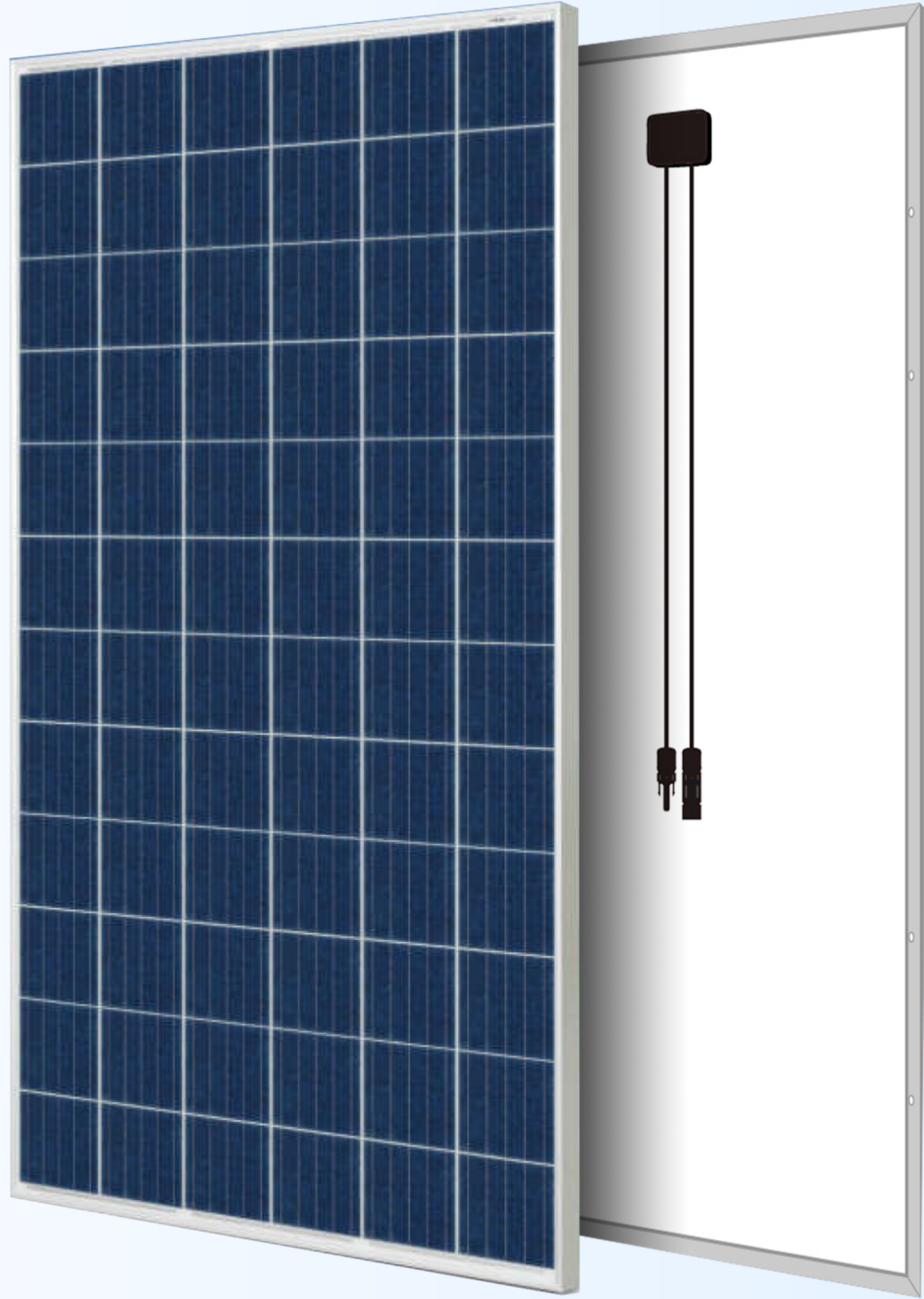
Polycrystalline Module

325-360W

Cell Type



5BB



360W

Maximum Power Output

18.6%

Maximum Module Efficiency

0~+5W

Power Output Guarantee



- Highly transparent self-cleaning glass brings additional yield and easy maintenance



- Selected encapsulating material and stringent production process control ensure the product is highly PID resistant and snail trails free



- Optimized system performance due to module level current sorting



- Sand blowing test, salt mist test and ammonia test passed to endure harsh environments



- Lower LID due to lower oxygen and carbon content

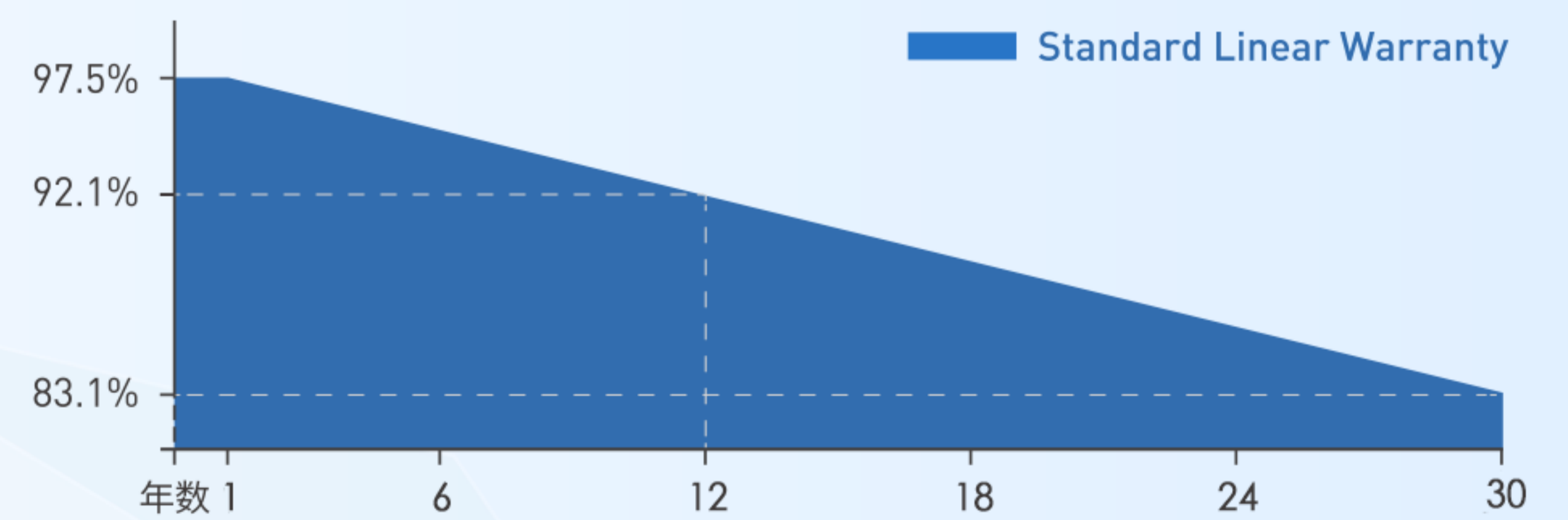


- Special cutting and soldering technology leads to low hot spot risk

Delivers Reliable Performance Over Time

- manufacturer of crystalline silicon photovoltaic modules
- Fully automatic facility and world-class technology
- Rigorous quality control to meet the highest standard: ISO9001:2015, ISO14001: 2015 and OHSAS: 18001 2007
- Tested for harsh environments (salt mist, ammonia corrosion and sand blowing test: IEC 61701, IEC 62716, DIN EN 60068-2- 68)
- Long term reliability tests
- 2x100% EL inspection ensuring defect-free modules

Linear Performance Warranty



12 Years Product Warranty 30 Years Linear Power Warranty

* Please refer to standard warranty for details

Product certification



HY-P6 / 72 HY-P6 / 72H

Polycrystalline Module 325-360W

Electrical Specification (STC*)

	Pmax(W)	325	330	335	340	345	350	355	360
Maximum Power	Pmax(W)	325	330	335	340	345	350	355	360
Maximum Power Voltage	Vmp(V)	37.60	37.80	38.00	38.20	36.47	36.85	37.26	37.66
Maximum Power Current	Imp(A)	8.64	8.73	8.82	8.90	9.46	9.50	9.53	9.56
Open Circuit Voltage	Voc(V)	46.00	46.20	46.40	46.60	45.91	46.21	46.51	46.81
Short Circuit Current	Isc(A)	9.24	9.33	9.41	9.49	10.06	10.07	10.09	10.10
Module Efficiency	(%)	16.7	17.0	17.3	17.5	17.8	18.0	18.3	18.6
Power Output Tolerance	(W)	0~+5							

* Irradiance 1000W/m², Module Temperature 25°C, Air Mass 1.5

Electrical Specification (NOCT*)

	Pmax (W)	241.17	245.00	248.86	252.75	256.77	260.82	264.13	267.87
Maximum Power	Pmax (W)	241.17	245.00	248.86	252.75	256.77	260.82	264.13	267.87
Maximum Power Voltage	Vmp (V)	34.70	34.90	35.10	35.30	34.10	34.50	34.80	35.20
Maximum Power Current	Imp (A)	6.95	7.02	7.09	7.16	7.53	7.56	7.59	7.61
Open Circuit Voltage	Voc(V)	42.80	42.90	43.10	43.30	42.70	43.00	43.20	43.50
Short Circuit Current	Isc (A)	7.46	7.53	7.60	7.66	8.12	8.13	8.15	8.16

* Irradiance 800W/m², Ambient Temperature 20°C, Wind Speed 1m/s

Mechanical Data

Number of Cells	72 Cells (6×12)
Dimensions of Module L*W*H (mm)	1956×992×35mm (77×39.05×1.38 inches)
Weight (kg)	22.2 kg
Glass	High transparency solar glass 3.2mm (0.13 inches)
Backsheet	White
Frame	Silver, anodized aluminium alloy
J-Box	IP68 Rated
Cable	4.0mm ² (0.006 inches ²), 1200mm (47.24 inches)
Number of diodes	3
Wind/ Snow Load	2400Pa/ 5400Pa*
Connector	MC Compatible

* For more details please check the installation manual of SI

Temperature Ratings

Nominal Operating Cell Temperature (NOCT)	45±2°C
Temperature Coefficient of Isc	+0.06%/°C
Temperature Coefficient of Voc	-0.30%/°C
Temperature Coefficient of P _{MAX}	-0.39%/°C

Maximum Ratings

Operational Temperature	-40~+85°C
Maximum System Voltage	1500V DC
Max Series Fuse Rating	20A

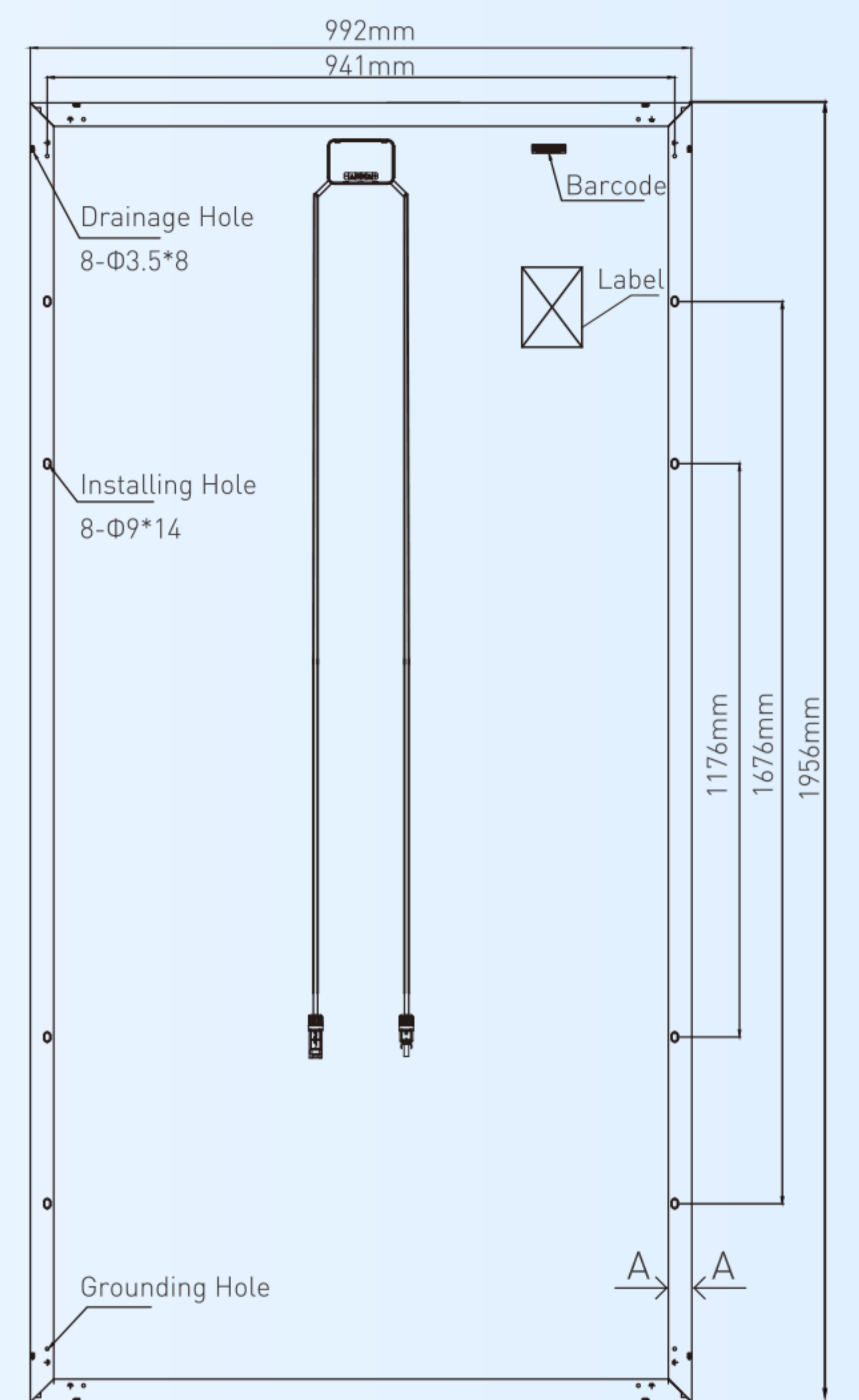
Optional

Connector: Original MC4

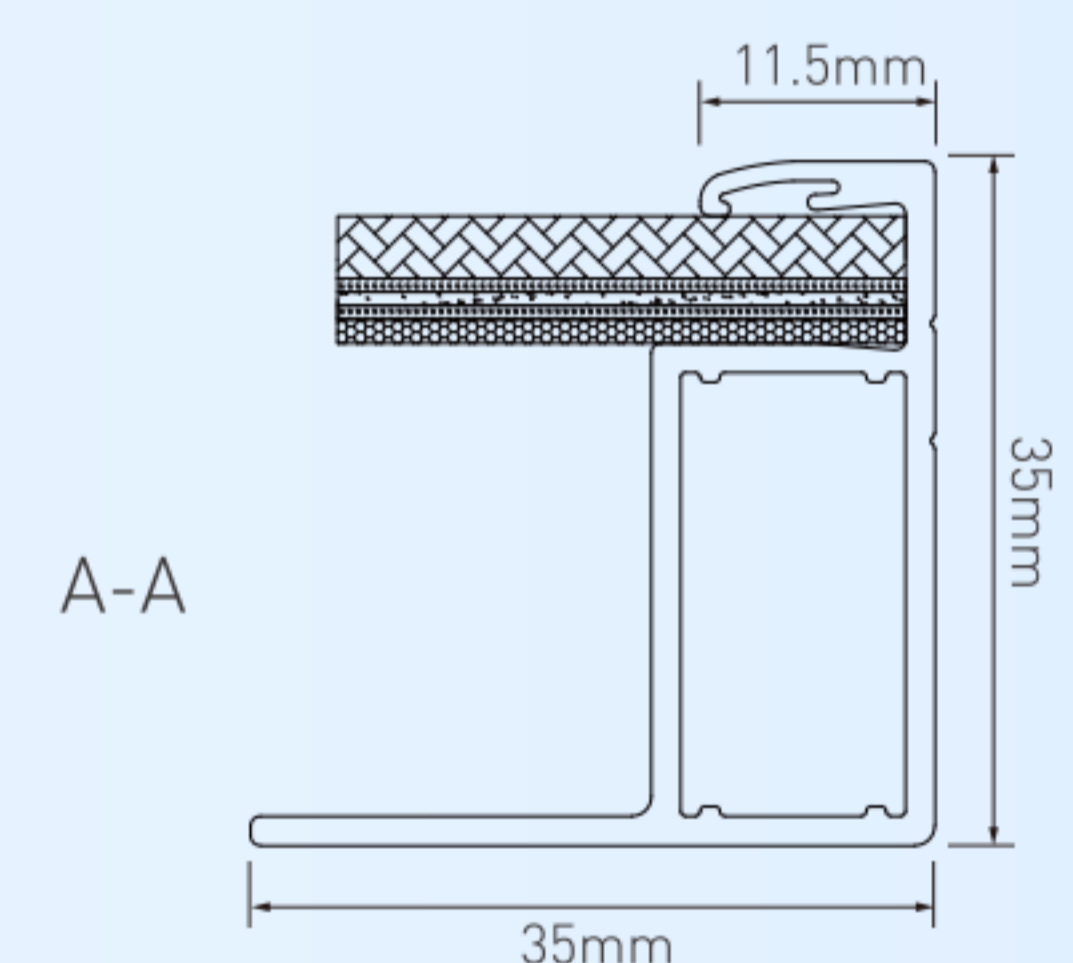
Packaging Configuration

Module per box	30 pieces
Module per 40' container	720 pieces

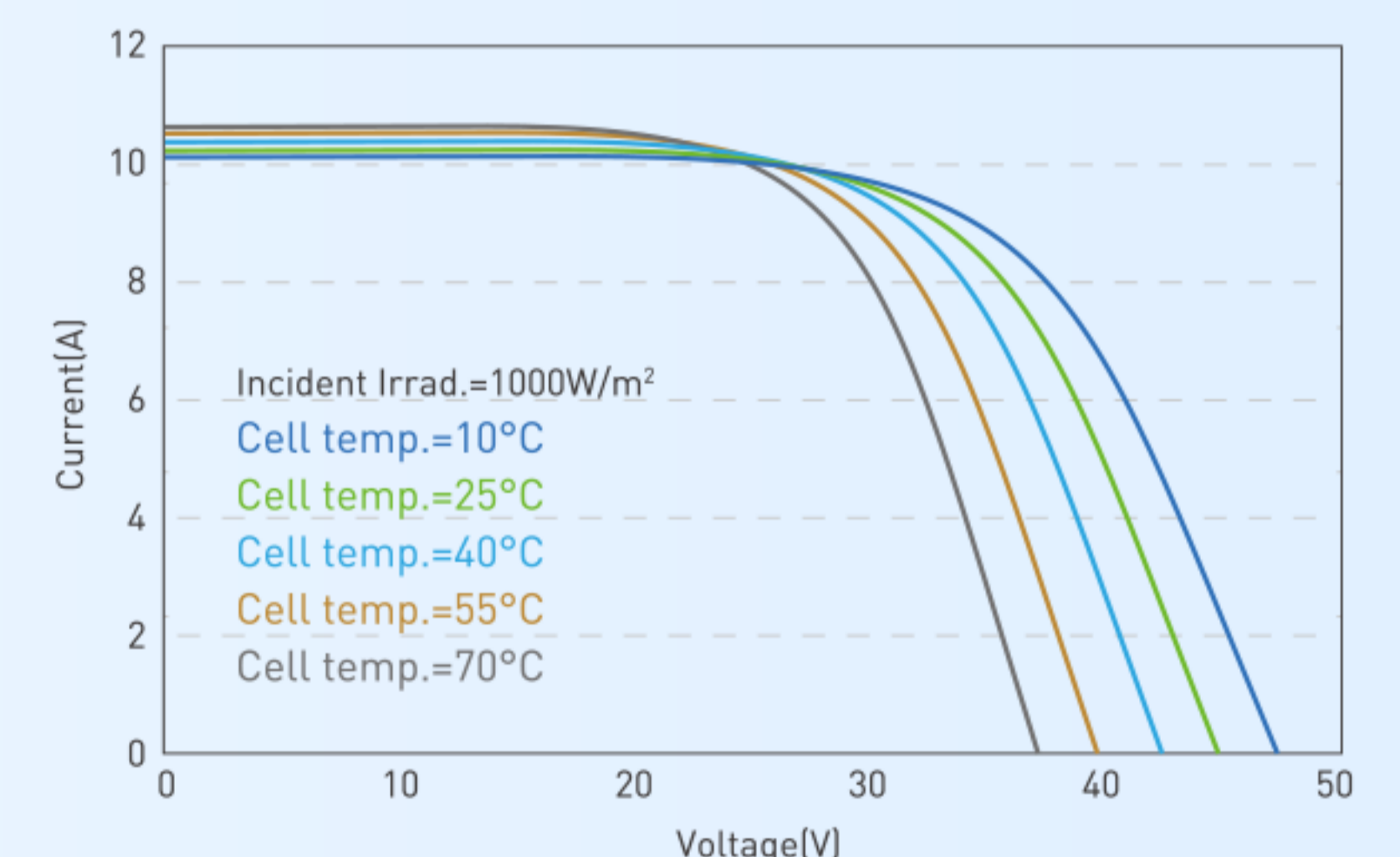
Module Dimension



Back View



I-V Curve at Different Temperature (360W)



I-V/P-V Curve at Different Irradiation (360W)

